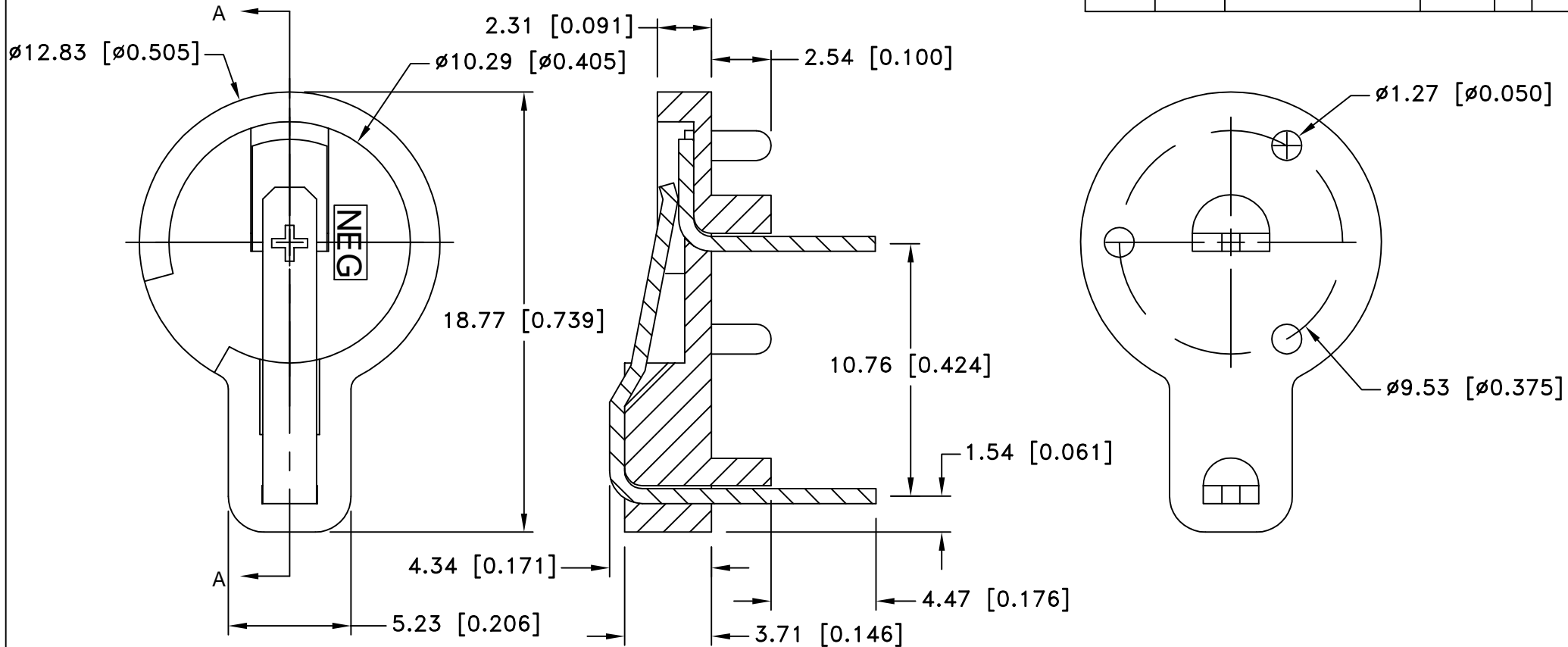


PCB LAYOUT


Date	SYM	REVISION RECORD	AUTH	DR.	CK.
05/03/03	A	ALL DIM. CHANGED TO 3 DECIMAL POINT CONTACTS MTL. CHANGED TO PHOSPHOR BRONZE	T.B.	B.S.	
1/07/06	B	ADDED "ROHS COMPLIANT"	T.B.	B.S.	
2/25/06	C	LEAD FREE WAS Sn-Pb PLTD.	T.B.	B.S.	



NOTES:

MATERIAL:

- HOLDER: PBT POLYESTER, BLACK, UL94V-0
- POS. CONT.: PHOSPHOR BRONZE, SPRING TEMPER, NICKEL PLTD., LEAD FREE SOLDER TAILS
- NEG. CONT.: PHOSPHOR BRONZE, SPRING TEMPER, NICKEL PLTD., LEAD FREE SOLDER TAILS
- ROHS COMPLIANT

Tolerance (Except as noted)		Memory Protection Devices, Inc	
		200 Broad Hollow Road, Farmingdale, New York 11735	
decimal		Scale	Drawn By B.S.
±.5 (.020)			Approved By T.B.
Fractional	Title		
± .8 (.030)	COIN CELL HOLDER		
Angular	Date	Drawing Number	
± 3°	2/25/06	BH401	